

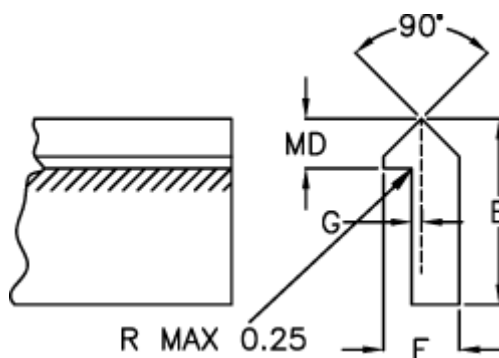
Data Sheet



Article number: 055021000

Description: Single edge track T2 1000mm

Measures



E = 15.87

F = 6.35

G = 0.78

Kg/m = 0.509

MD(T) = 4.75